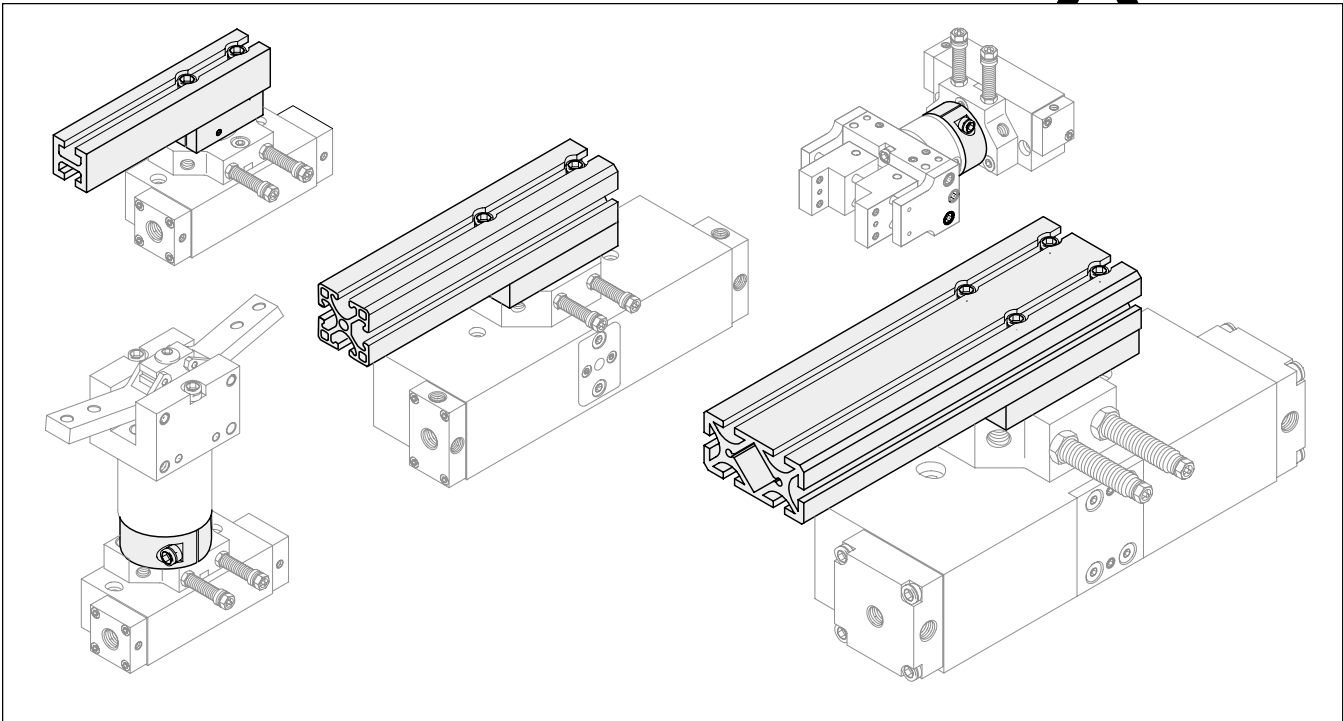
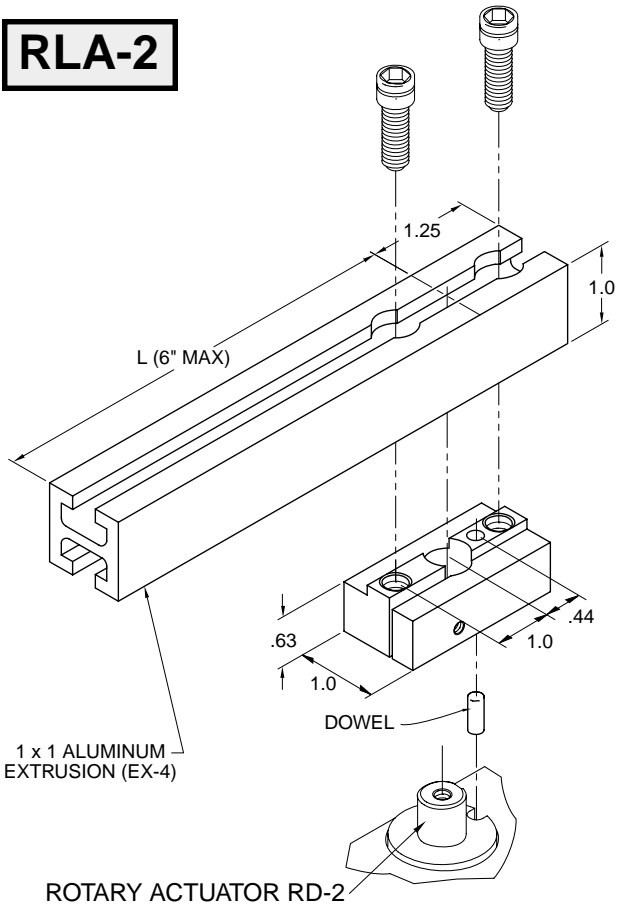


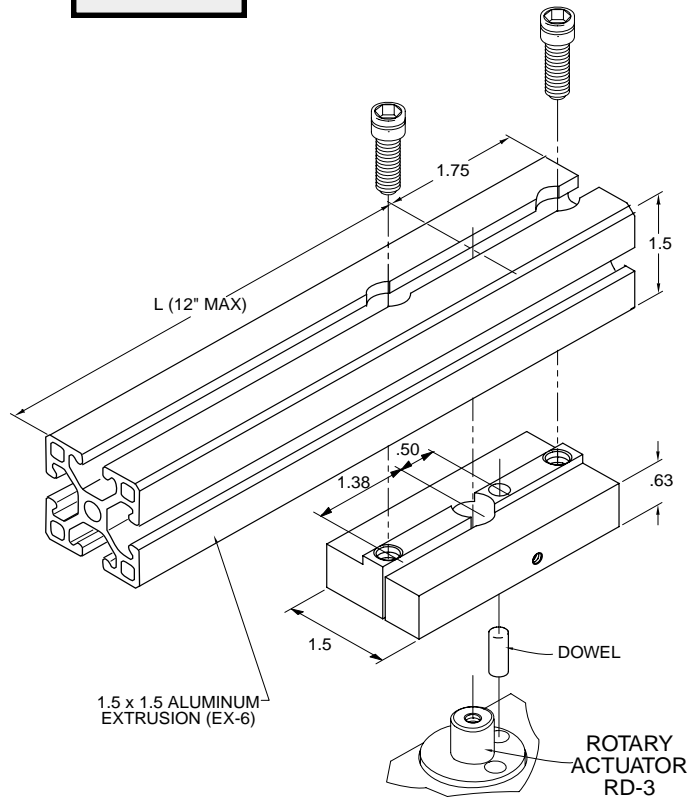
# Rotary Loading Arms and Hubs



## RLA-2

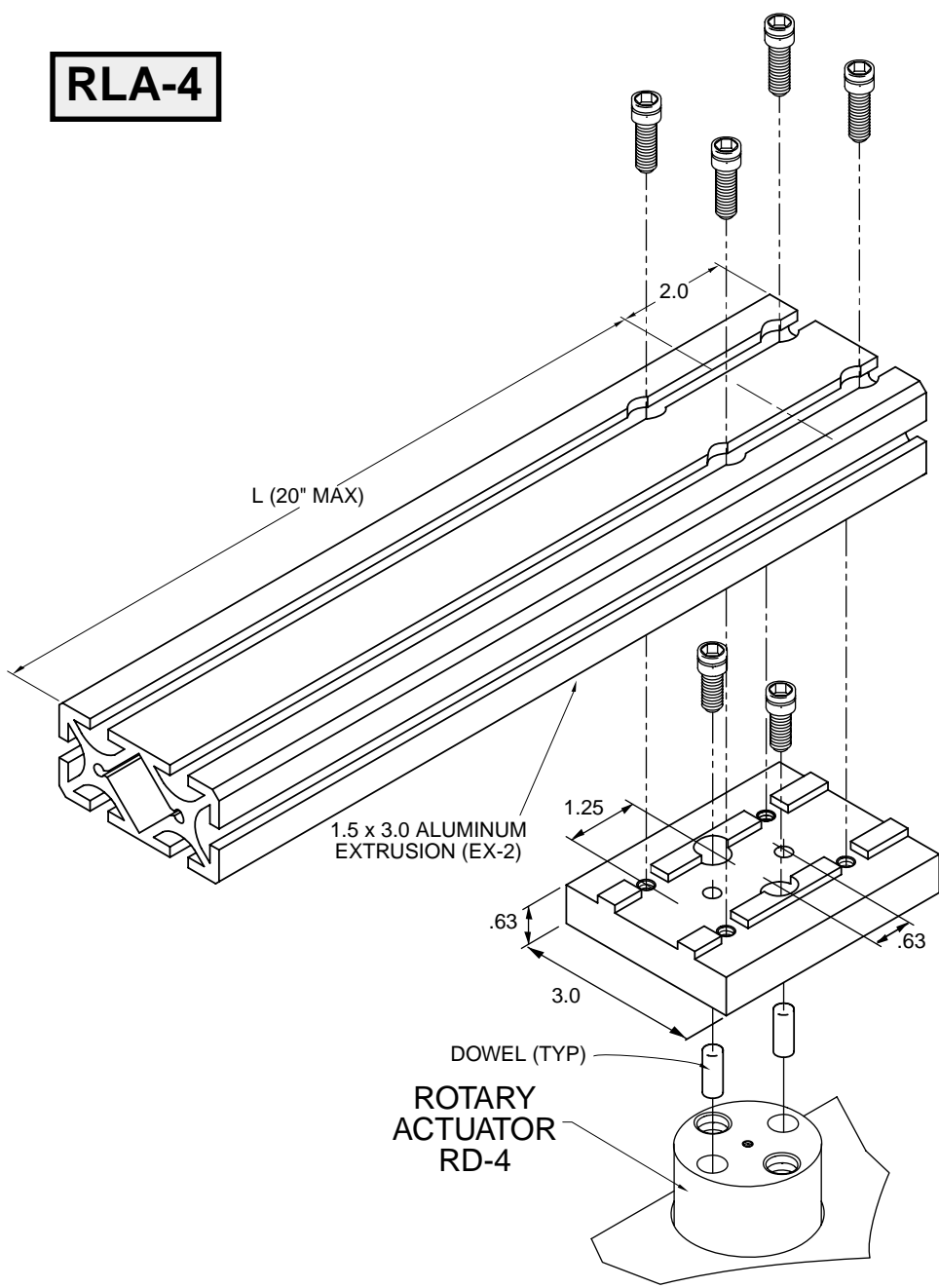


## RLA-3

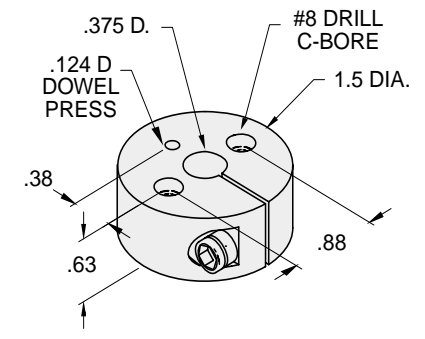


# Rotary Loading Arms and Hubs

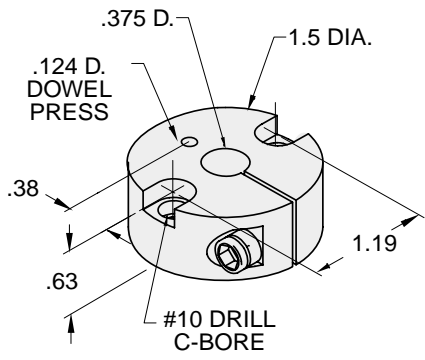
## RLA-4



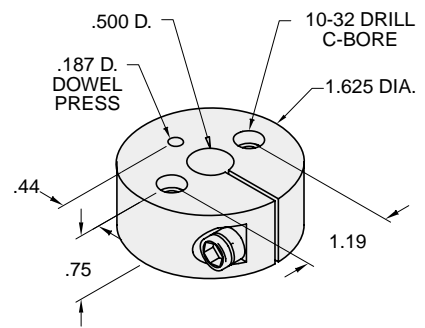
## RH1-0 RD-1 to B-0 series gripper



## RH1-1 RD-1 to B-1 series gripper



## RH2-1 RD-2 to B-1 series gripper



## RH2-2 RD-2 to B-2 series gripper

