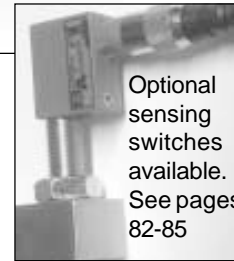
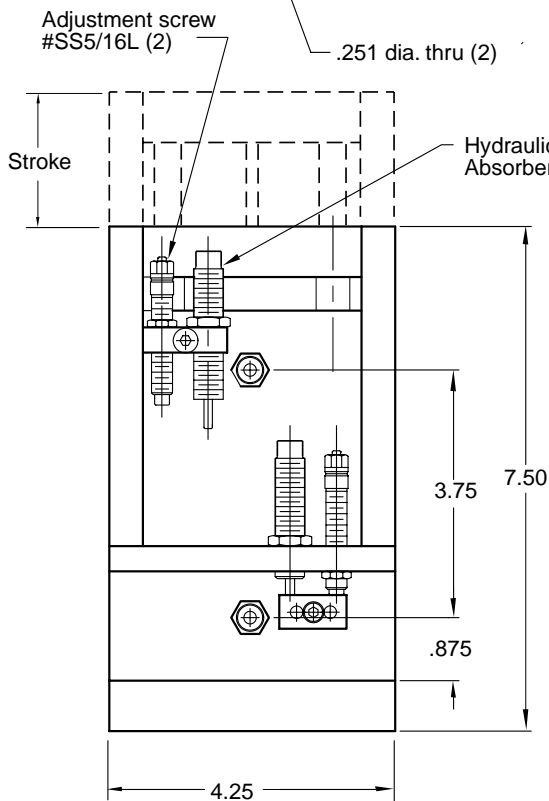
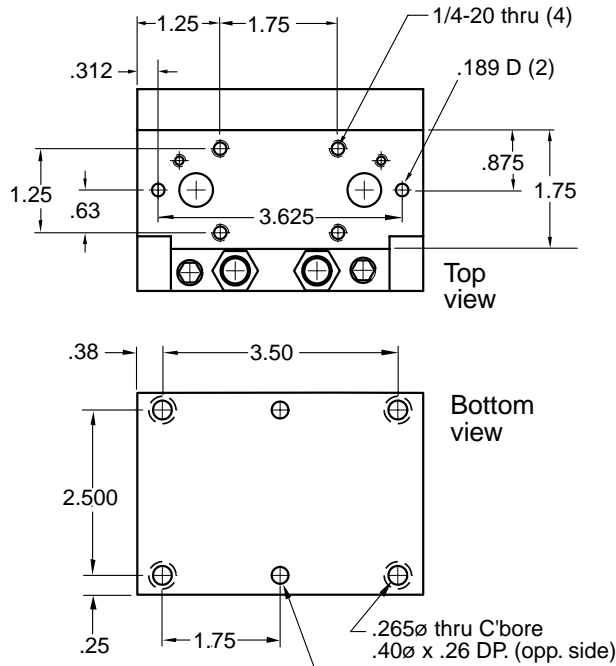
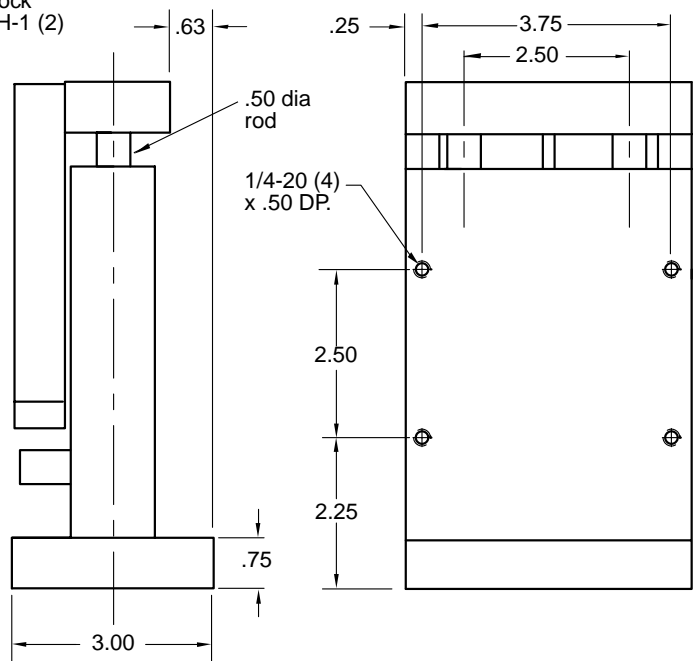


ET-2 Elevating Table



Optional sensing switches available. See pages 82-85



Type	Stroke	Force @ 80 psi	Weight
ET-2-2	0-2"	24 lbs	5 lbs

Technical data

- 3/4" Bore
- Stroke designed with built in stopscrews with fine threads.
- The stopscrews can be used with sensing switches.
- Designed for production rates and long life.
- Seal kits and rebuild kits available.

Operating medium
Operating pressure
Repeat accuracy
Air connection

Compressed air or hydraulic oil
60-100 psi
±0.0005 in
1/8 NPT