

# Excelon® modular system

## L72M/C, L73M/C, L74M/C Lubricators

Excelon® design allows in-line or modular installation

Quick release bayonet bowl.

Flow sensor provides a nearly constant oil/air ratio over a wide range of flows

Highly visible, prismatic liquid level indicator lens on metal bowls

All round (360°) visibility of sight-feed dome for ease of drip rate setting

Micro-fog and oil-fog

### Technical data

Fluid:

Compressed air

Maximum pressure:

300 psig (20 bar)

Operating temperature\*:

-30° to 175°F (-34° to 80°C)

\*Air supply must be dry enough to avoid ice formation at temperatures below 35°F (2°C).

Typical flow with 150 psig (10 bar) inlet pressure, 90 psig (6.3 bar) set pressure and 15 psig (1 bar) droop from from set: 144 scfm (68 dm<sup>3</sup>/s)

Materials

L72M/C

Body: zinc

Bonnet: acetal

Valve: brass

Elastomers: nitrile

Bottom plug: acetal

L72M, L72C

Body: zinc

Transparent bowl: polycarbonate

Metal bowl: zinc

Liquid level indicator lens (metal bowl): transparent nylon

Sight-feed dome: transparent nylon

Elastomers: neoprene, nitrile & Geolast

L73M, L73C, L74M, L74C

Body: aluminum

Transparent bowl: polycarbonate

Guarded transparent bowl:

polycarbonate with steel guard

Metal bowl: aluminum

Liquid level indicator lens (metal bowl): transparent nylon (Pyrex optional)

Sight-feed dome: transparent nylon

Elastomers: neoprene & nitrile



L72M/C



L73M/C



L74M/C

### Ordering Information

Models listed include PTF threads, manual drain, and metal bowl with plastic liquid level indicator.

	Port Size	Model*	Flow** scfm (dm <sup>3</sup> /s)	Weight lb (kg)†
Micro-Fog	1/4"	L72M 2AP QLN	51 (24)	1.1 (0.49)
	3/8"	L72M 3AP QLN	51 (24)	1.1 (0.49)
Oil Fog	1/4"	L72C 2AP QLN	51 (24)	1.1 (0.49)
	3/8"	L72C 3AP QLN	51 (24)	1.1 (0.49)
Micro Fog	1/4"	L73M 2AP QDN	60 (28)	1.1 (0.50)
	3/8"	L73M 3AP QDN	60 (28)	1.1 (0.50)
	1/2"	L73M 4AP QDN	60 (28)	1.1 (0.50)
Oil Fog	1/4"	L73C 2AP QDN	60 (28)	1.1 (0.50)
	3/8"	L73C 3AP QDN	60 (28)	1.1 (0.50)
	1/2"	L73C 4AP QDN	60 (28)	1.1 (0.50)
Micro Fog	3/8"	L74M 3AP QDN	114 (54)	1.70 (0.77)
	1/2"	L74M 4AP QDN	154 (73)	1.61 (0.73)
	3/4"	L74M 6AP QDN	142 (67)	1.55 (0.71)
Oil Fog	3/8"	L74C 3AP QDN	118 (56)	1.70 (0.77)
	1/2"	L74C 4AP QDN	192 (91)	1.61 (0.73)
	3/4"	L74C 6AP QDN	186 (88)	1.55 (0.71)

\* Models listed in the order table must not be located downstream of frequently cycling directional control valves. Order the optional bi-directional Oil-Fog Lubricator for use under such conditions.

\*\*Typical flow with 90 psig (6.3 bar) inlet pressure and a pressure drop of 7 psig (0.5 bar).

† (74) Lubricators with 1 quart (1 liter) metal bowl: Add 2.01 lbs (0.91 kg).

### Options selector

L7 ★ ★ ★ ★ ★ ★ ★ ★

Series	Substitute	Options	Substitute
72*	2	Low oil level switch** (74)	L
73*	3	None	N
74	4	Pyrex dome#	P
		Quick fill adapter (73, 74)	Q
Type	Substitute	Bowl	Substitute
Oil-fog	C	1 qt metal w/Pyrex level indicator† (74)	A
Micro-fog	M	Metal w/ liquid level indicator (72, 73, 74)	D
		Long metal w/ liquid level indicator (72)	E
		Long transparent without guard (72)	L
		Transparent with guard (73, 74)	P
		Transparent bowl (72, 73)	T
		Long transparent with guard (72)	W
Port size	Substitute	Drain	Substitute
1/4 (72, 73)	2	Closed bottom	E
3/8 (72, 73, 74)	3	Manual 1/4 turn	Q
1/2 (73, 74)	4	Remote fill device*	R
3/4 (74)	6		
Threads	Substitute		
PTF	A		
ISO G parallel	G		
Air flow direction	Substitute		
Bi-directional (74)	E		
Uni-directional	P		

† Requires Pyrex dome ("P" in 10th position)

\* Use only with 74 Series 7 oz bowl.

# Excelon® modular system

L72M/C, L73M/C, L74M/C Lubricators

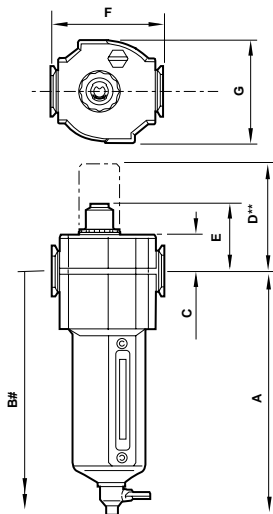
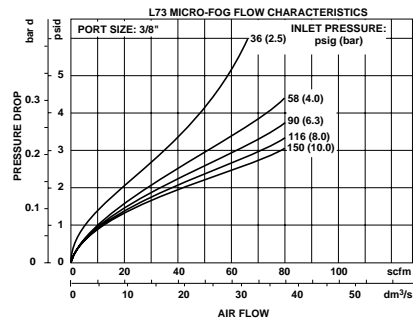
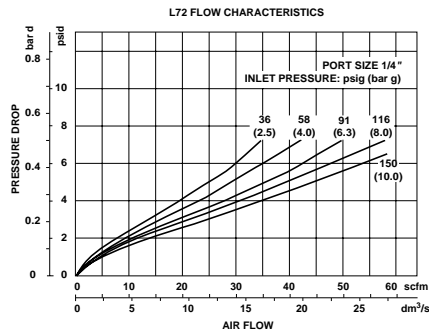
Dimensions in inches.

## Accessories\*

	Wall mounting bracket**	Pipe adapters (quantity of 1) (NPT)	Quikclamp®	Quikclamp® and wall bracket	Remote fill kit	Quick fill nipple	Tamper resistant snap-on cap for lubricator sight feed dome #	Level switch
L72	4224-50	4215-02 (1/4) 4215-03 (3/8)	4214-51	4214-52 4213-89 *			4050-89	
L73	4424-50	4315-01 (1/4) 4315-02 (3/8) 4315-03 (1/2) 4315-04 (3/4)	4314-51	4314-52 4313-50*		18-011-024	4050-89	
L74	4324-50 4323-51**	4315-02 (3/8) 4315-03 (1/2) 4315-04 (3/4)	4314-51	4314-52 4313-50*	5335-50	18-011-024	4050-89	18-023-610†

\* For additional options see website. \*\*Bracket only. †To fit 1 qt bowl version. #Pack of 10.

## Typical Performance Characteristics

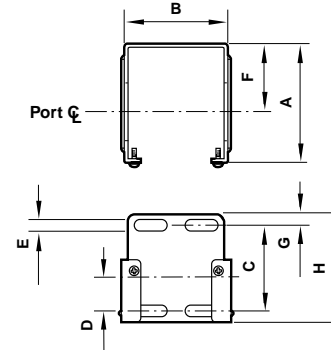


\*\* Optional Pyrex sight-feed dome.  
# Minimum clearance required to remove bowl.

	A	B	C	D	E	F	G
72	4.33	7.52	0.75	2.52	1.61	1.97	1.89
73	6.14	10.04	0.98	2.76	1.85	2.68	2.44
74	6.97	10.87	0.98	2.68	1.85	3.15	2.91

Service Kit		
Item	Type	Part Number
72M/C	Seal and Gasket	4382-500
73M/C	Seal and Gasket	4382-600
74M/C	Seal and Gasket	4382-700

## Mounting bracket



Series	A	B	C	D	E	F	G	H
72	2.36	1.65	1.54	0.73	0.16	1.50	0.24	2.01
73	2.64	2.36	1.89	0.75	0.28	1.50	0.24	2.40
74	3.11	2.72	1.97	0.79	0.20	2.01	0.24	2.40

